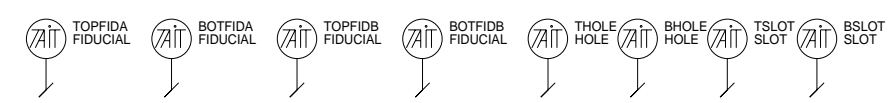
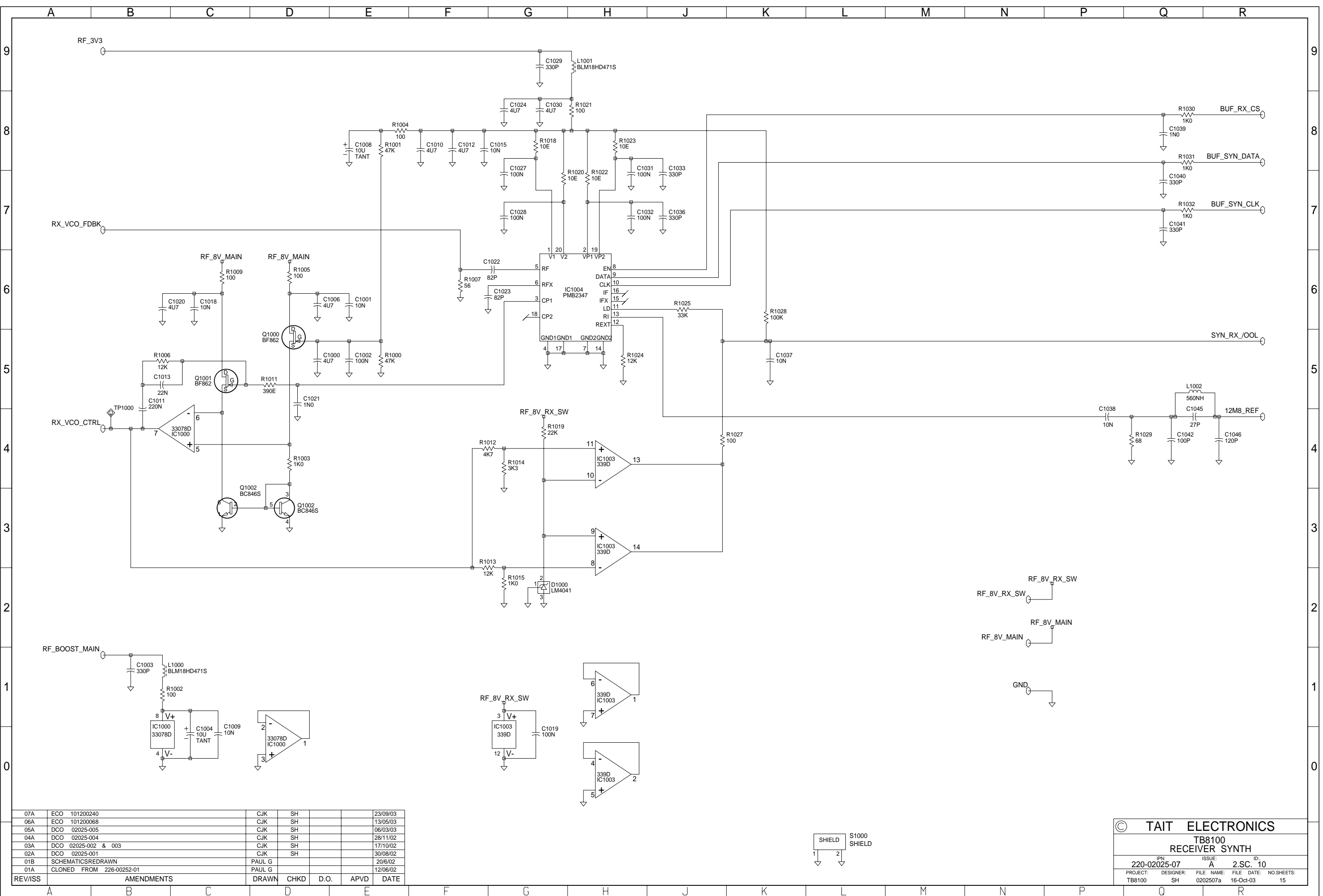


07A	ECO	101200240	CJK	SH			23/09/03
06A	ECO	101200068	CJK	SH			13/05/03
05A	DCO	02025-005	CJK	SH			06/03/03
04A	DCO	02025-004	CJK	SH			28/11/02
03A	DCO	02025-002 & 003	CJK	SH			17/10/02
02A	DCO	02025-001	CJK	SH			30/08/02
01B	SCHEMATICS REDRAWN		PAUL G				20/06/02
01A	CLONED FROM 226-00252-01		PAUL G				12/06/02
REV/ISS	AMENDMENTS		DRAWN	CHKD	D.O.	APVD	DATE



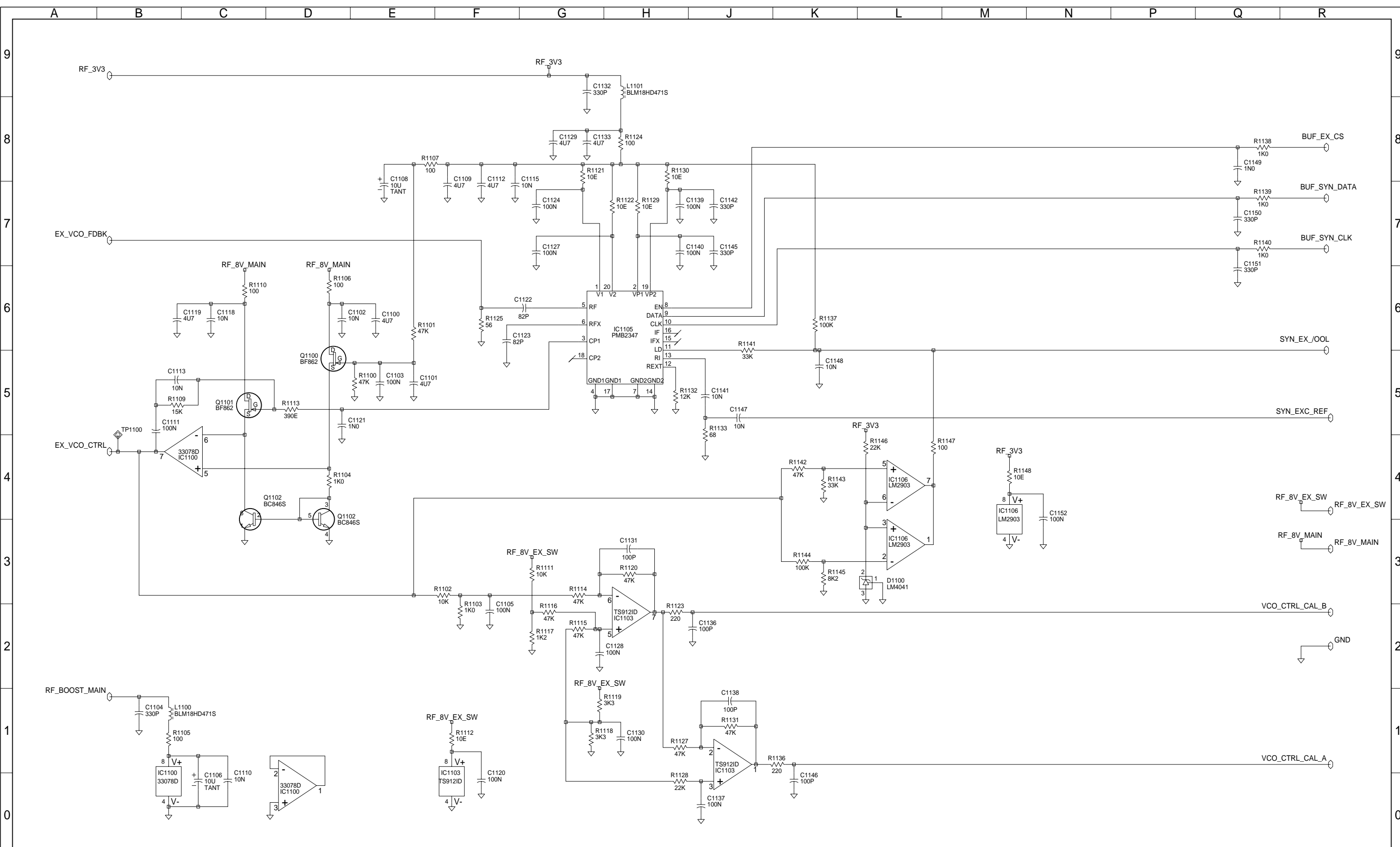
© TAIT ELECTRONICS
 TB8100 RECITER TOP LEVEL
 IPN: 220-02025-07 ISSUE: A ID: 2.S.C. 1
 PROJECT: TB8100 DESIGNER: SH FILE NAME: 0202507a FILE DATE: 16-Oct-03 NO. SHEETS: 15



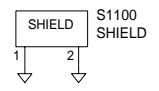
07A	ECO	101200240	CJK	SH		23/09/03
06A	ECO	101200068	CJK	SH		13/05/03
05A	DCO	02025-005	CJK	SH		06/03/03
04A	DCO	02025-004	CJK	SH		28/11/02
03A	DCO	02025-002 & 003	CJK	SH		17/10/02
02A	DCO	02025-001	CJK	SH		30/08/02
01B	SCHEMATICS	REDRAWN	PAUL G			20/06/02
01A	CLONED FROM	226-00252-01	PAUL G			12/06/02
REV/ISS	AMENDMENTS		DRAWN	CHKD	D.O.	APVD DATE

© TAIT ELECTRONICS
 TB8100
 RECEIVER SYNTH

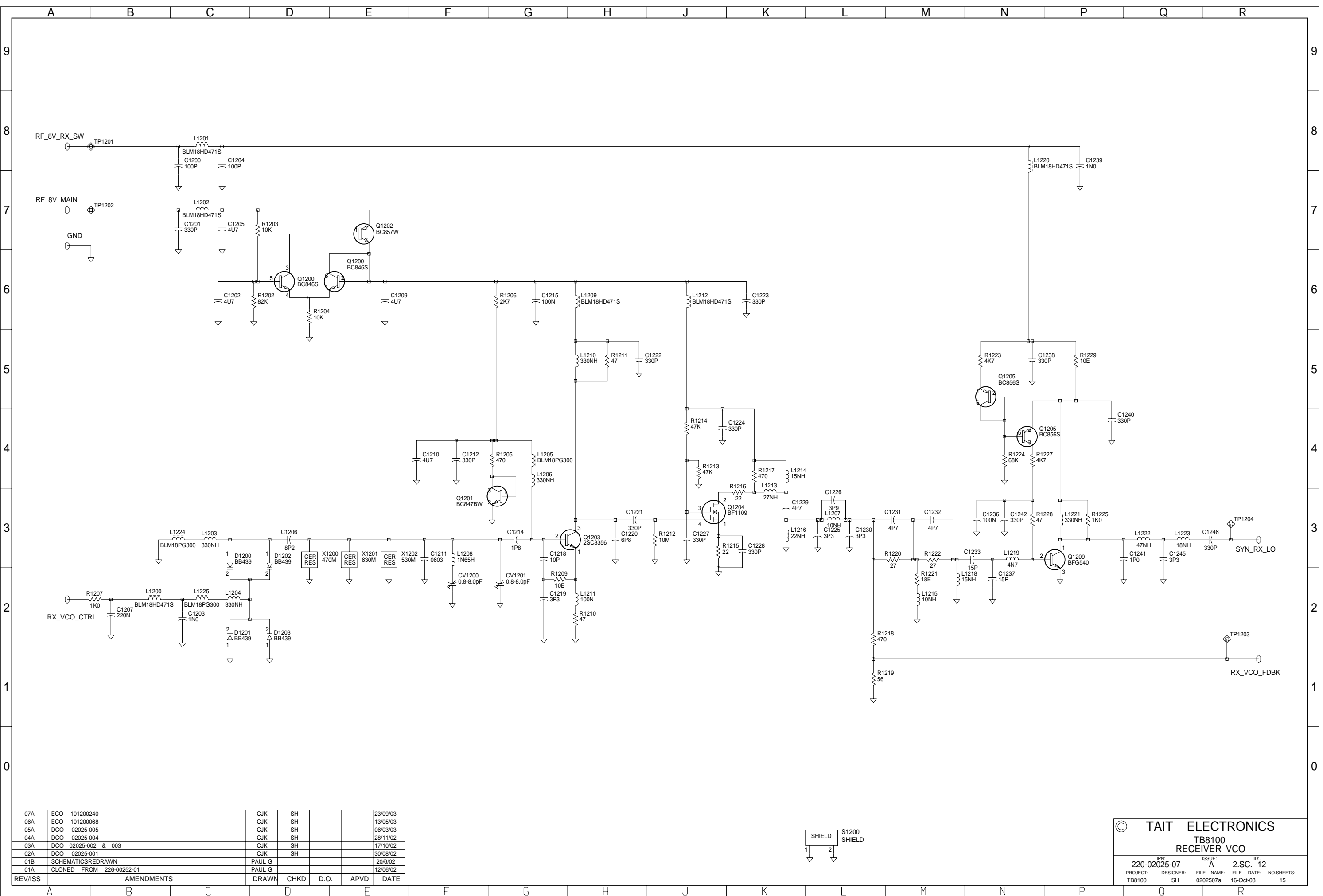
IPN: 220-02025-07 ISSUE: A 2.SC. 10 ID:
 PROJECT: TB8100 DESIGNER: SH FILE NAME: 0202507a FILE DATE: 16-Oct-03 NO.SHEETS: 15



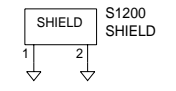
07A	ECO	101200240	CJK	SH		23/09/03
06A	ECO	101200068	CJK	SH		13/05/03
05A	DCO	02025-005	CJK	SH		06/03/03
04A	DCO	02025-004	CJK	SH		28/11/02
03A	DCO	02025-002 & 003	CJK	SH		17/10/02
02A	DCO	02025-001	CJK	SH		30/08/02
01B	SCHEMATICS	REDRAWN	PAUL G			20/6/02
01A	CLONED FROM	226-00252-01	PAUL G			12/06/02
REV/ISS	AMENDMENTS		DRAWN	CHKD	D.O.	APVD DATE



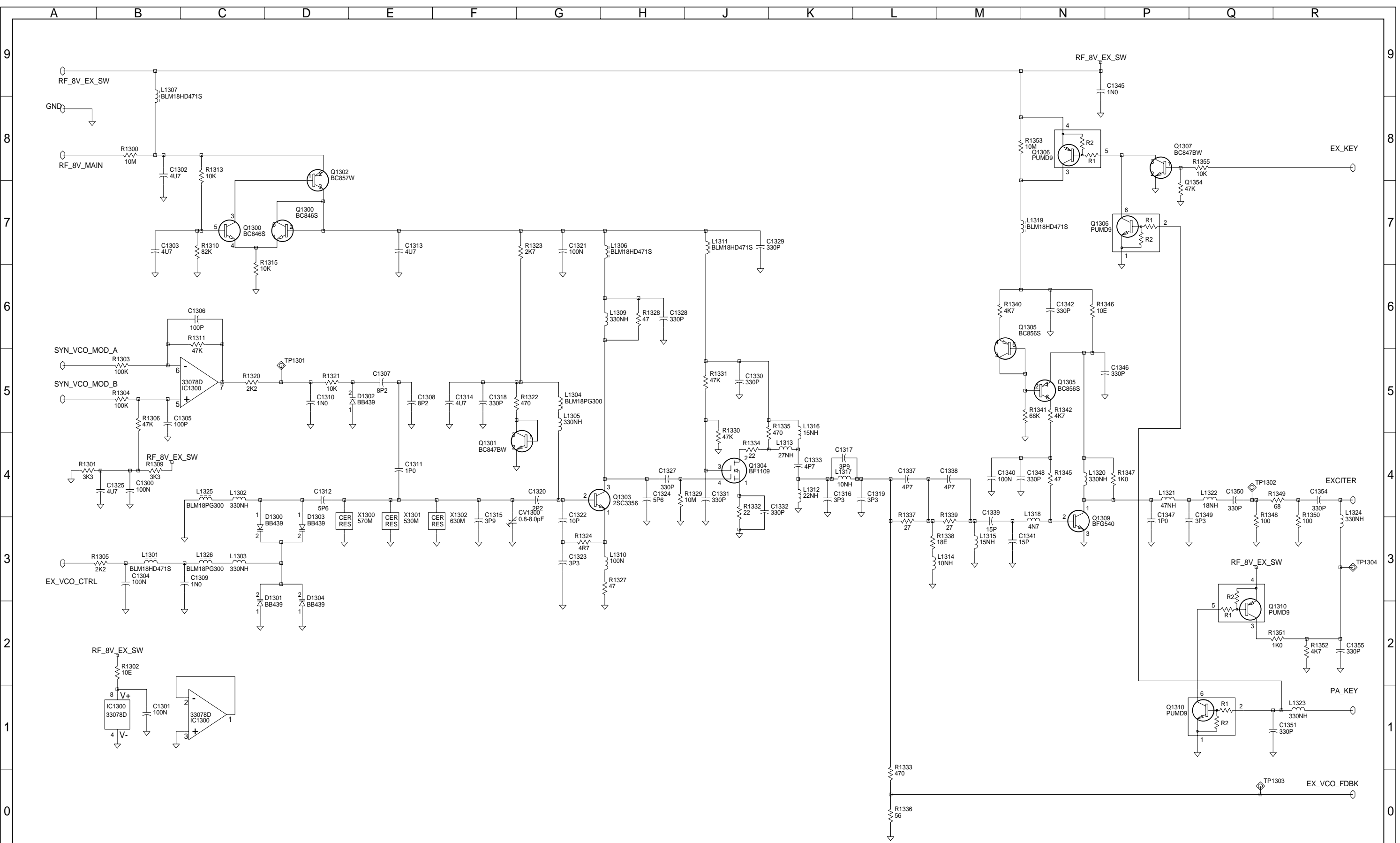
© TAIT ELECTRONICS
TB8100
EXCITER SYNTH
 IPN: 220-02025-07 ISSUE: A ID: 2.SC. 11
 PROJECT: TB8100 DESIGNER: SH FILE NAME: 0202507a FILE DATE: 16-Oct-03 NO. SHEETS: 15



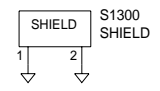
07A	ECO	101200240	CJK	SH		23/09/03
06A	ECO	101200068	CJK	SH		13/05/03
05A	DCO	02025-005	CJK	SH		06/03/03
04A	DCO	02025-004	CJK	SH		28/11/02
03A	DCO	02025-002 & 003	CJK	SH		17/10/02
02A	DCO	02025-001	CJK	SH		30/08/02
01B	SCHEMATICS	REDRAWN	PAUL G			20/06/02
01A	CLONED	FROM 226-00252-01	PAUL G			12/06/02
REV/ISS		AMENDMENTS	DRAWN	CHKD	D.O.	APVD DATE



© TAIT ELECTRONICS
 TB8100
 RECEIVER VCO
 IPN: 220-02025-07 ISSUE: A ID: 2.SC. 12
 PROJECT: TB8100 DESIGNER: SH FILE NAME: 0202507a FILE DATE: 16-Oct-03 NO. SHEETS: 15



07A	ECO	101200240	CJK	SH		23/09/03
06A	ECO	101200068	CJK	SH		13/05/03
05A	DCO	02025-005	CJK	SH		06/03/03
04A	DCO	02025-004	CJK	SH		28/11/02
03A	DCO	02025-002 & 003	CJK	SH		17/10/02
02A	DCO	02025-001	CJK	SH		30/08/02
01B	SCHEMATICS	REDRAWN	PAUL G			20/06/02
01A	CLONED FROM	226-00252-01	PAUL G			12/06/02
REV/ISS	AMENDMENTS		DRAWN	CHKD	D.O.	APVD DATE

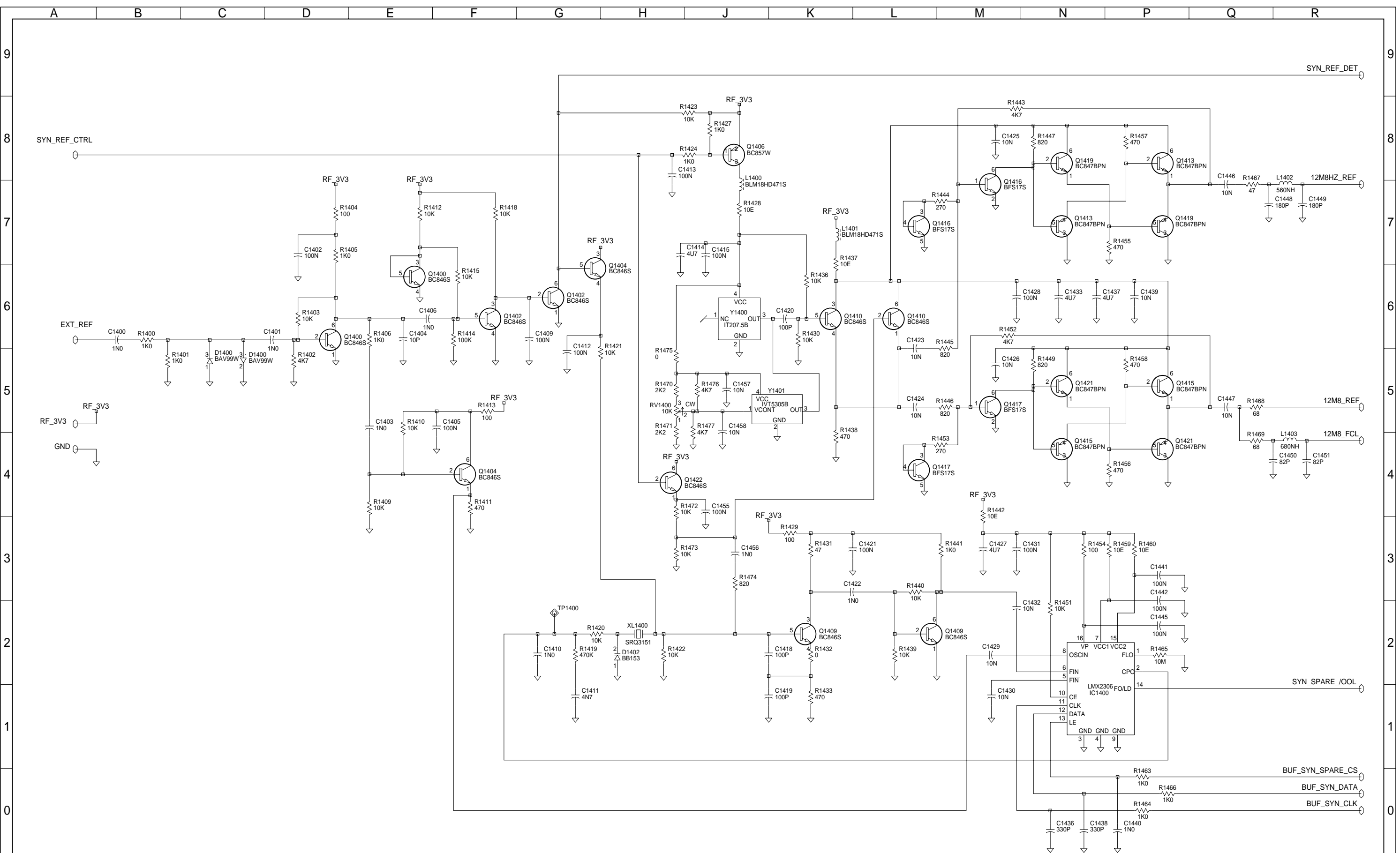


© TAIT ELECTRONICS

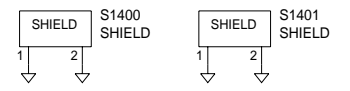
TB8100
EXCITER VCO

IPN: 220-02025-07 ISSUE: A ID: 2.SC. 13

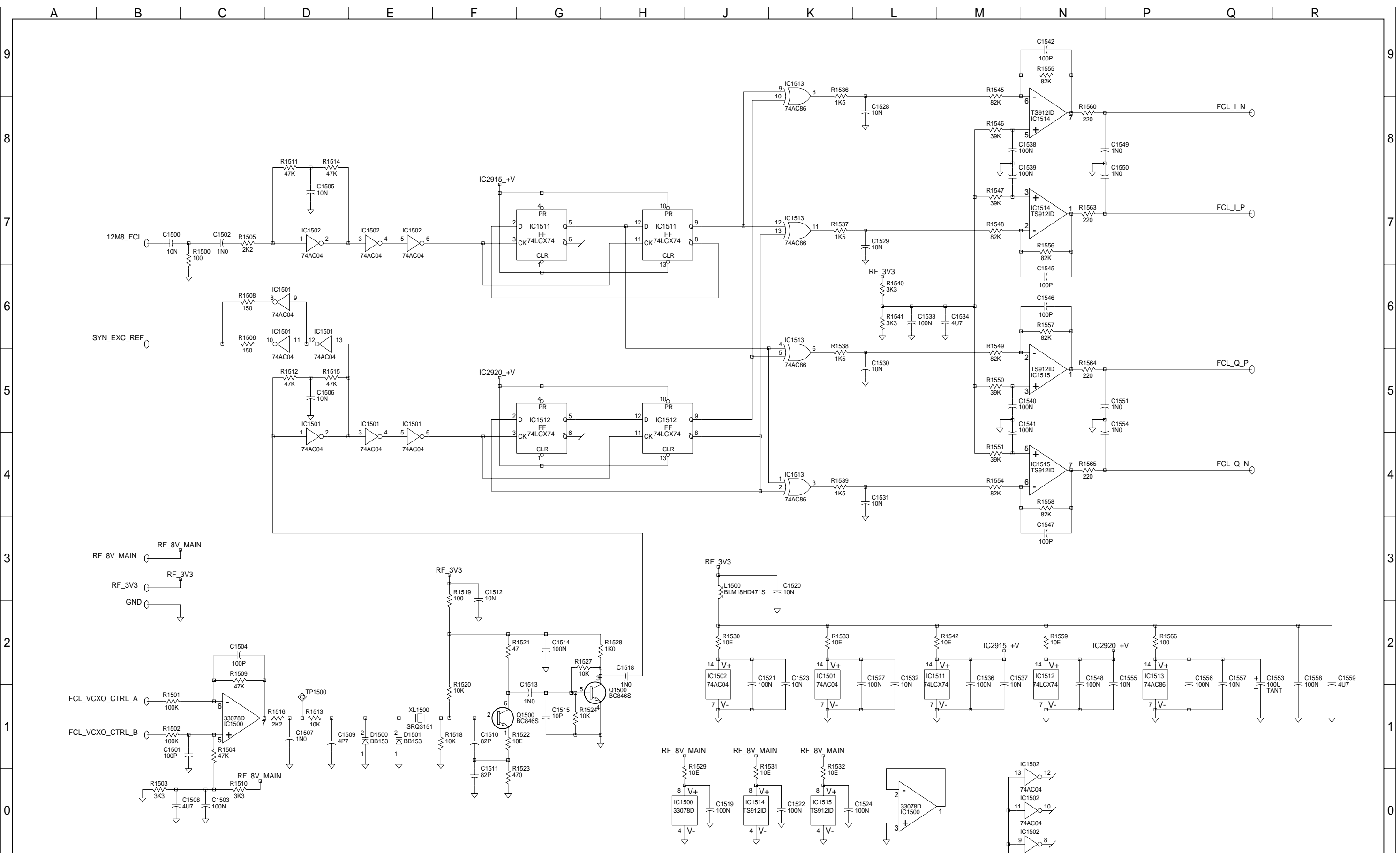
PROJECT: TB8100 DESIGNER: SH FILE NAME: 0202507a FILE DATE: 16-Oct-03 NO. SHEETS: 15



07A	ECO	101200240	CJK	SH		23/09/03
06A	ECO	101200068	CJK	SH		13/05/03
05A	DCO	02025-005	CJK	SH		06/03/03
04A	DCO	02025-004	CJK	SH		28/11/02
03A	DCO	02025-002 & 003	CJK	SH		17/10/02
02A	DCO	02025-001	CJK	SH		30/08/02
01B	SCHEMATICS	REDRAWN	PAUL G			20/06/02
01A	CLONED FROM	226-00252-01	PAUL G			12/06/02
REV/ISS	AMENDMENTS		DRAWN	CHKD	D.O.	APVD DATE

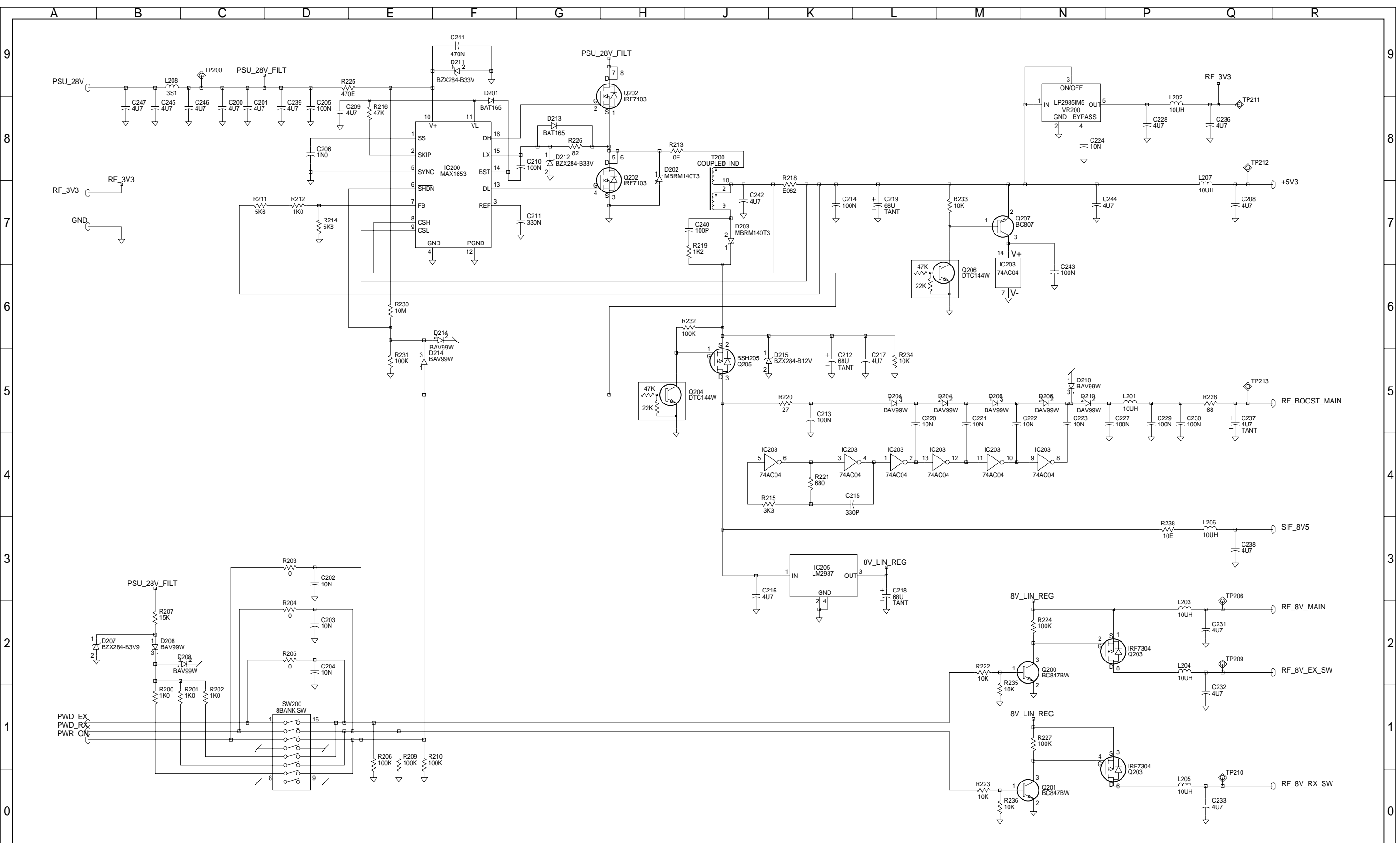


© TAIT ELECTRONICS
 TB8100
 EXTERNAL REFERENCE
 IPN: 220-02025-07 ISSUE: A ID: 2.SC. 14
 PROJECT: TB8100 DESIGNER: SH FILE NAME: 0202507a FILE DATE: 16-Oct-03 NO.SHEETS: 15



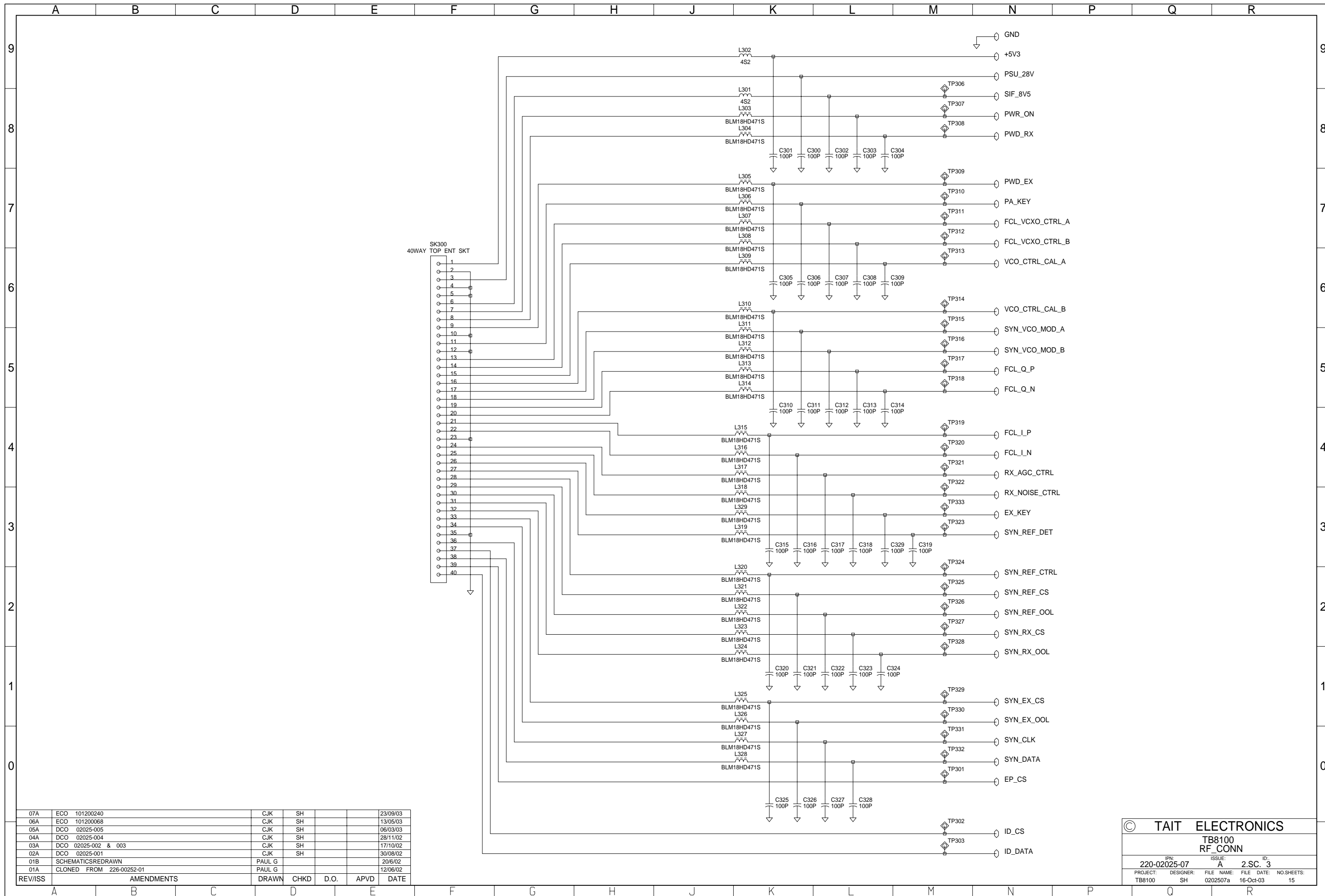
07A	ECO	101200240	CJK	SH		23/09/03
06A	ECO	101200068	CJK	SH		13/05/03
05A	DCO	02025-005	CJK	SH		06/03/03
04A	DCO	02025-004	CJK	SH		28/11/02
03A	DCO	02025-002 & 003	CJK	SH		17/10/02
02A	DCO	02025-001	CJK	SH		30/08/02
01B	SCHEMATICS	REDRAWN	PAUL G			20/06/02
01A	CLONED FROM	226-00252-01	PAUL G			12/06/02
REV/ISS	AMENDMENTS		DRAWN	CHKD	D.O.	APVD DATE

© TAIT ELECTRONICS
 TB8100
 FREQUENCY CONTROL LOOP
 IPN: 220-02025-07 ISSUE: A 2.SC. 15
 PROJECT: TB8100 DESIGNER: SH FILE NAME: 0202507a FILE DATE: 16-Oct-03 NO.SHEETS: 15



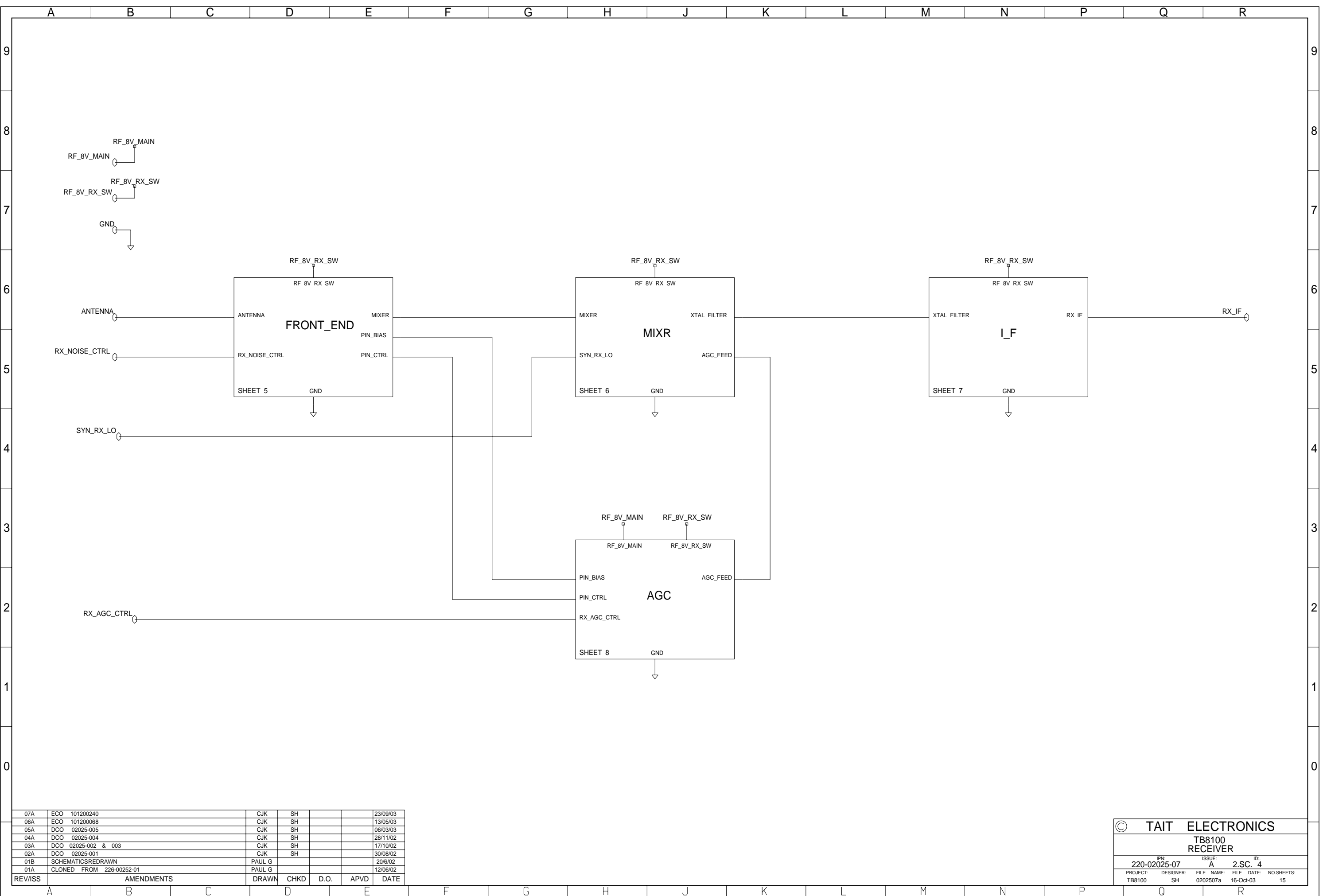
07A	ECO	101200240	CJK	SH		23/09/03
06A	ECO	101200068	CJK	SH		13/05/03
05A	DCO	02025-005	CJK	SH		06/03/03
04A	DCO	02025-004	CJK	SH		28/11/02
03A	DCO	02025-002 & 003	CJK	SH		17/10/02
02A	DCO	02025-001	CJK	SH		30/08/02
01B	SCHEMATICS REDRAWN		PAUL G			20/06/02
01A	CLONED FROM 226-00252-01		PAUL G			12/06/02
REV/ISS	AMENDMENTS		DRAWN	CHKD	D.O.	APVD DATE

© TAIT ELECTRONICS
TB8100
POWERSUPPLY
 IPN: 220-02025-07 ISSUE: A ID: 2.S.C. 2
 PROJECT: TB8100 DESIGNER: SH FILE NAME: 0202507a FILE DATE: 16-Oct-03 NO.SHEETS: 15



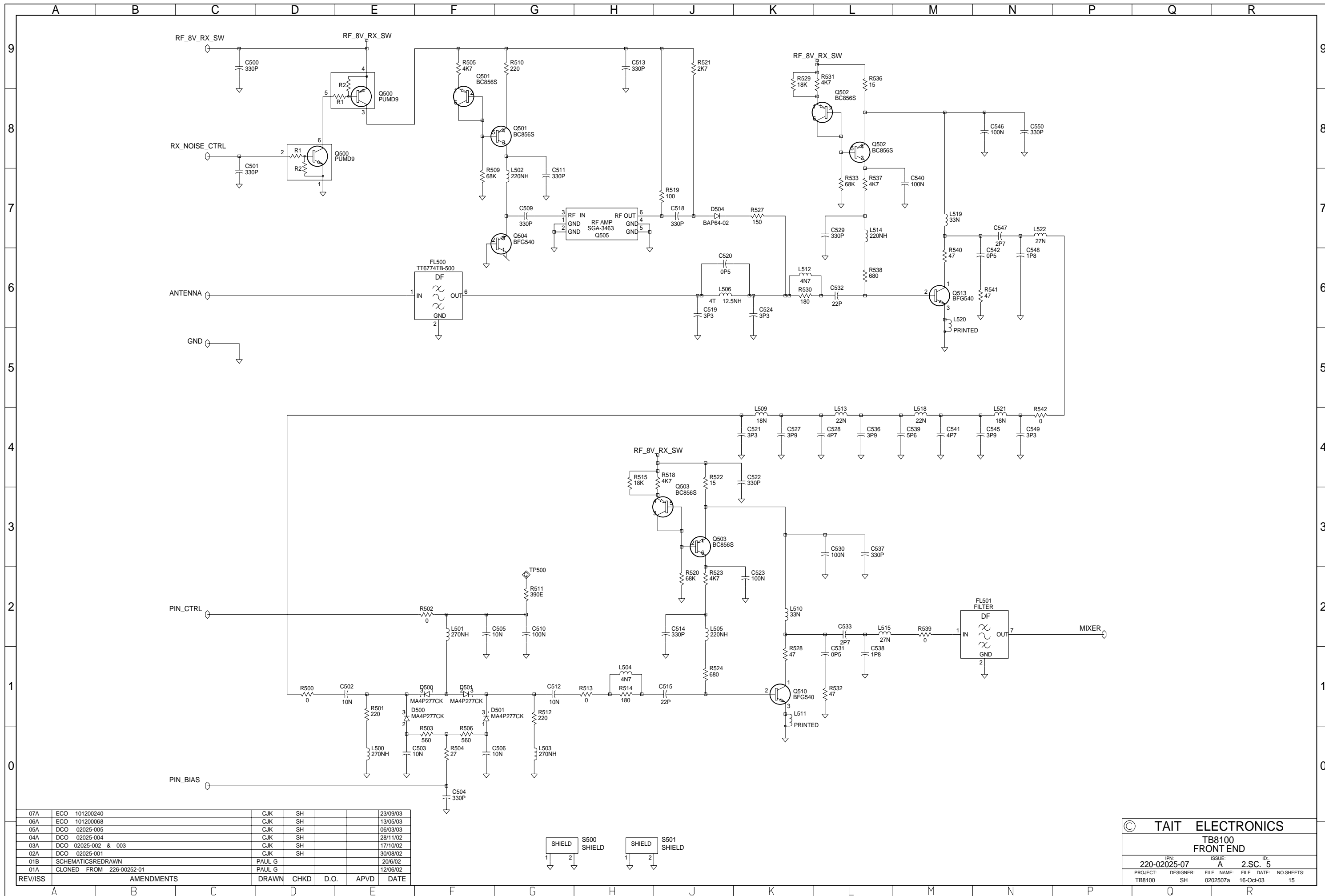
07A	ECO	101200240	CJK	SH		23/09/03
06A	ECO	101200068	CJK	SH		13/05/03
05A	DCO	02025-005	CJK	SH		06/03/03
04A	DCO	02025-004	CJK	SH		28/11/02
03A	DCO	02025-002 & 003	CJK	SH		17/10/02
02A	DCO	02025-001	CJK	SH		30/08/02
01B	SCHEMATICS REDRAWN		PAUL G			20/6/02
01A	CLONED FROM 226-00252-01		PAUL G			12/06/02
REV/ISS	AMENDMENTS		DRAWN	CHKD	D.O.	APVD DATE

© TAIT ELECTRONICS
 TB8100
 RF_CONN
 IPN: 220-02025-07 ISSUE: A ID: 2.S.C. 3
 PROJECT: TB8100 DESIGNER: SH FILE NAME: 0202507a FILE DATE: 16-Oct-03 NO. SHEETS: 15



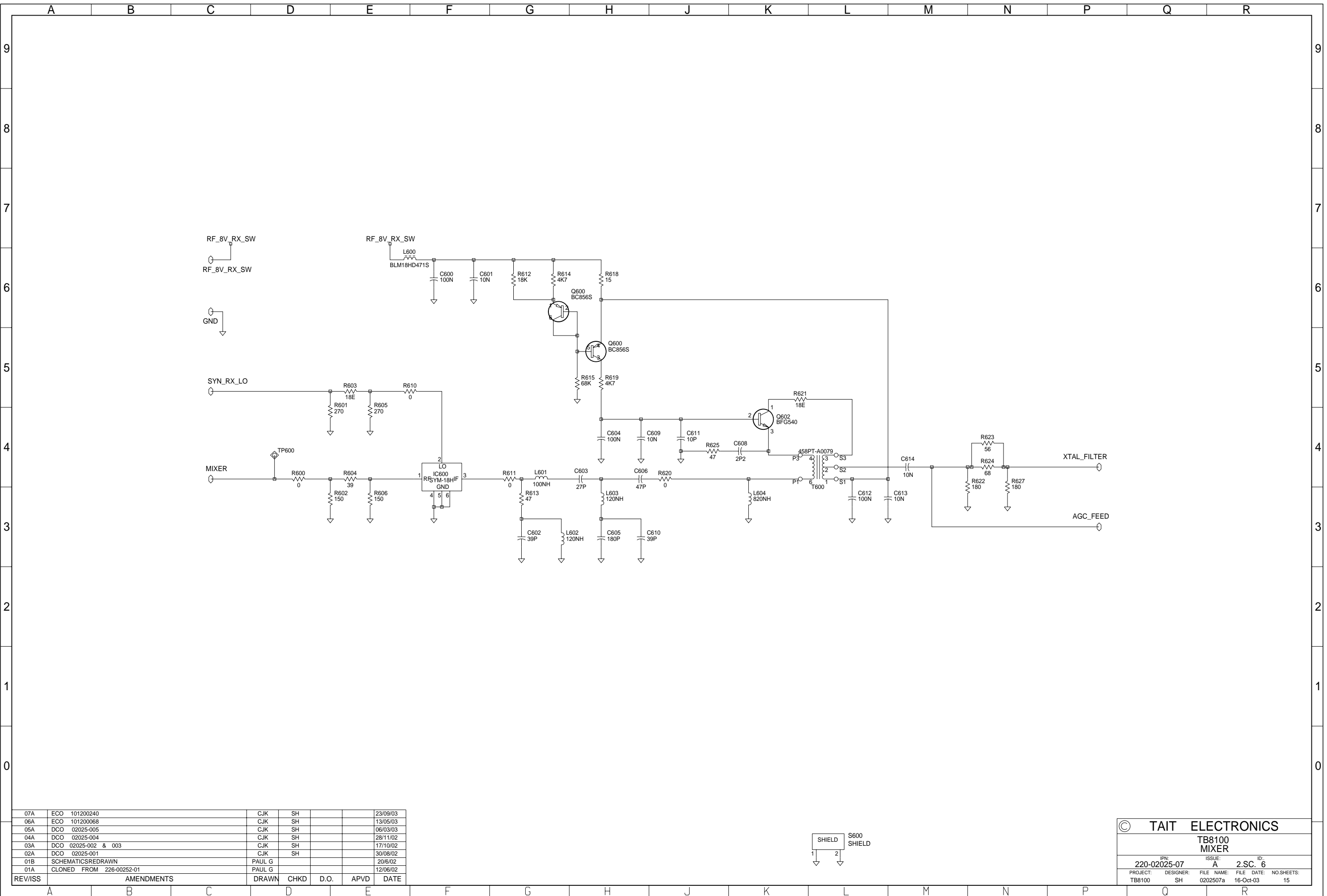
07A	ECO	101200240	CJK	SH		23/09/03
06A	ECO	101200068	CJK	SH		13/05/03
05A	DCO	02025-005	CJK	SH		06/03/03
04A	DCO	02025-004	CJK	SH		28/11/02
03A	DCO	02025-002 & 003	CJK	SH		17/10/02
02A	DCO	02025-001	CJK	SH		30/08/02
01B	SCHEMATICS REDRAWN		PAUL G			20/6/02
01A	CLONED FROM 226-00252-01		PAUL G			12/06/02
REV/ISS	AMENDMENTS		DRAWN	CHKD	D.O.	APVD DATE

© TAIT ELECTRONICS					
TB8100 RECEIVER					
IPN:	ISSUE:	ID:			
220-02025-07	A	2.S.C. 4			
PROJECT:	DESIGNER:	FILE NAME:	FILE DATE:	NO. SHEETS:	
TB8100	SH	0202507a	16-Oct-03	15	

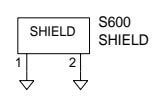


07A	ECO	101200240	CJK	SH		23/09/03
06A	ECO	101200068	CJK	SH		13/05/03
05A	DCO	02025-005	CJK	SH		06/03/03
04A	DCO	02025-004	CJK	SH		28/11/02
03A	DCO	02025-002 & 003	CJK	SH		17/10/02
02A	DCO	02025-001	CJK	SH		30/08/02
01B	SCHEMATICS	REDRAWN	PAUL G			20/06/02
01A	CLONED FROM	226-00252-01	PAUL G			12/06/02
REV/ISS	AMENDMENTS		DRAWN	CHKD	D.O.	APVD DATE

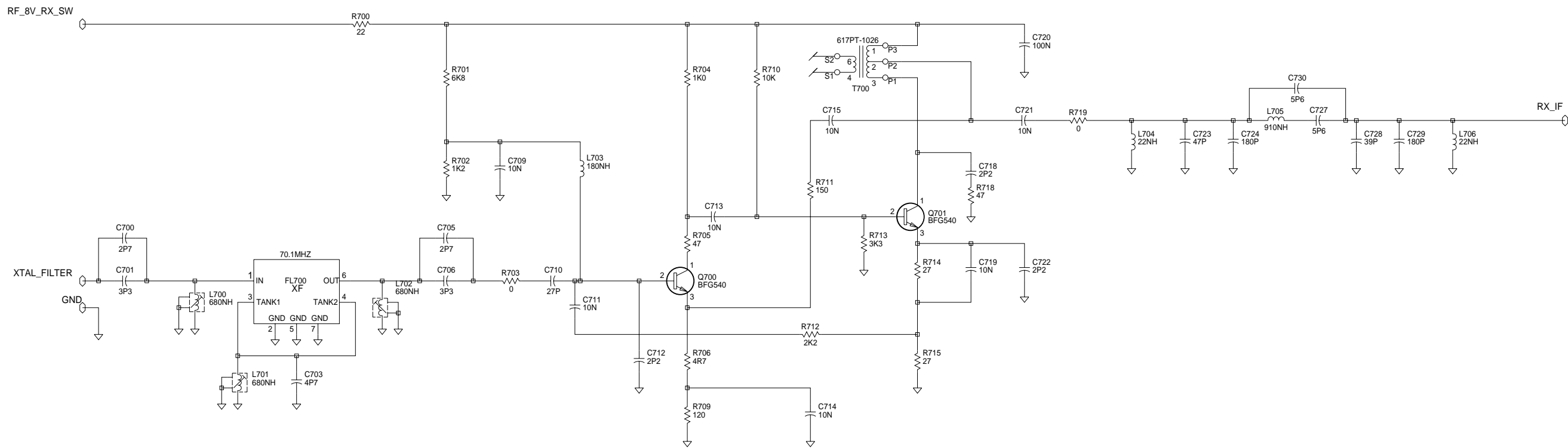
© TAIT ELECTRONICS
 TB8100
 FRONT END
 IPN: 220-02025-07 ISSUE: A 2.SC. 5 ID:
 PROJECT: TB8100 DESIGNER: SH FILE NAME: 0202507a FILE DATE: 16-Oct-03 NO.SHEETS: 15



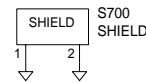
07A	ECO	101200240	CJK	SH		23/09/03
06A	ECO	101200068	CJK	SH		13/05/03
05A	DCO	02025-005	CJK	SH		06/03/03
04A	DCO	02025-004	CJK	SH		28/11/02
03A	DCO	02025-002 & 003	CJK	SH		17/10/02
02A	DCO	02025-001	CJK	SH		30/08/02
01B	SCHEMATICS REDRAWN		PAUL G			20/6/02
01A	CLONED FROM 226-00252-01		PAUL G			12/06/02
REV/ISS	AMENDMENTS		DRAWN	CHKD	D.O.	APVD DATE



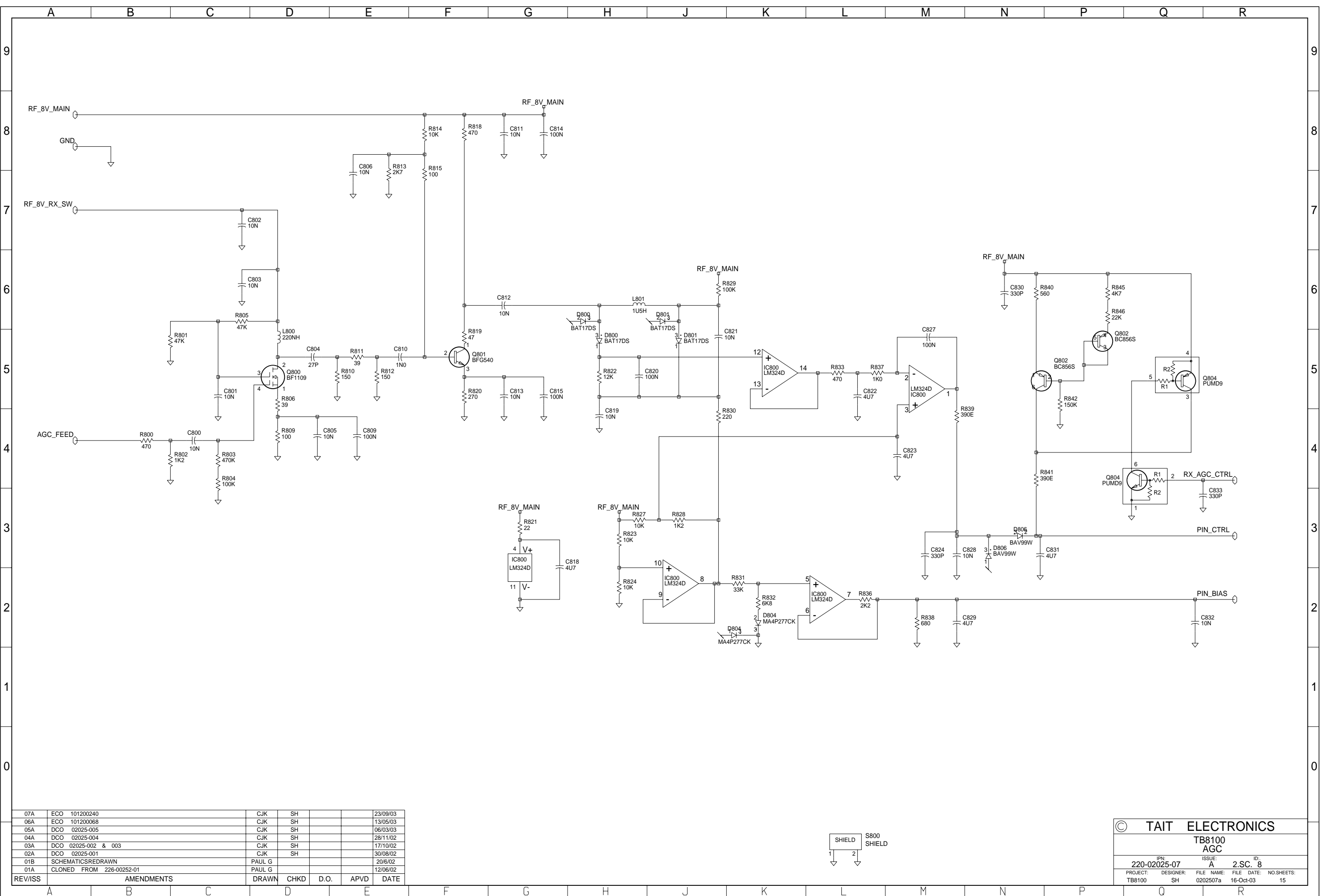
© TAIT ELECTRONICS				
TB8100 MIXER				
IPN:	ISSUE:	FILE NAME:	FILE DATE:	ID:
220-02025-07	A	2.SC. 6	16-Oct-03	15
PROJECT:	DESIGNER:	FILE NAME:	FILE DATE:	NO. SHEETS:
TB8100	SH	0202507a	16-Oct-03	15



07A	ECO	101200240	CJK	SH		23/09/03
06A	ECO	101200068	CJK	SH		13/05/03
05A	DCO	02025-005	CJK	SH		06/03/03
04A	DCO	02025-004	CJK	SH		28/11/02
03A	DCO	02025-002 & 003	CJK	SH		17/10/02
02A	DCO	02025-001	CJK	SH		30/08/02
01B	SCHEMATICS	REDRAWN	PAUL G			20/6/02
01A	CLONED FROM	226-00252-01	PAUL G			12/06/02
REV/ISS	AMENDMENTS		DRAWN	CHKD	D.O.	APVD DATE



© TAIT ELECTRONICS				
TB8100				
IF				
IPN:	ISSUE:	FILE NAME:	FILE DATE:	ID:
220-02025-07	A	2.SC.	7	
PROJECT:	DESIGNER:	FILE NAME:	FILE DATE:	NO.SHEETS:
TB8100	SH	0202507a	16-Oct-03	15



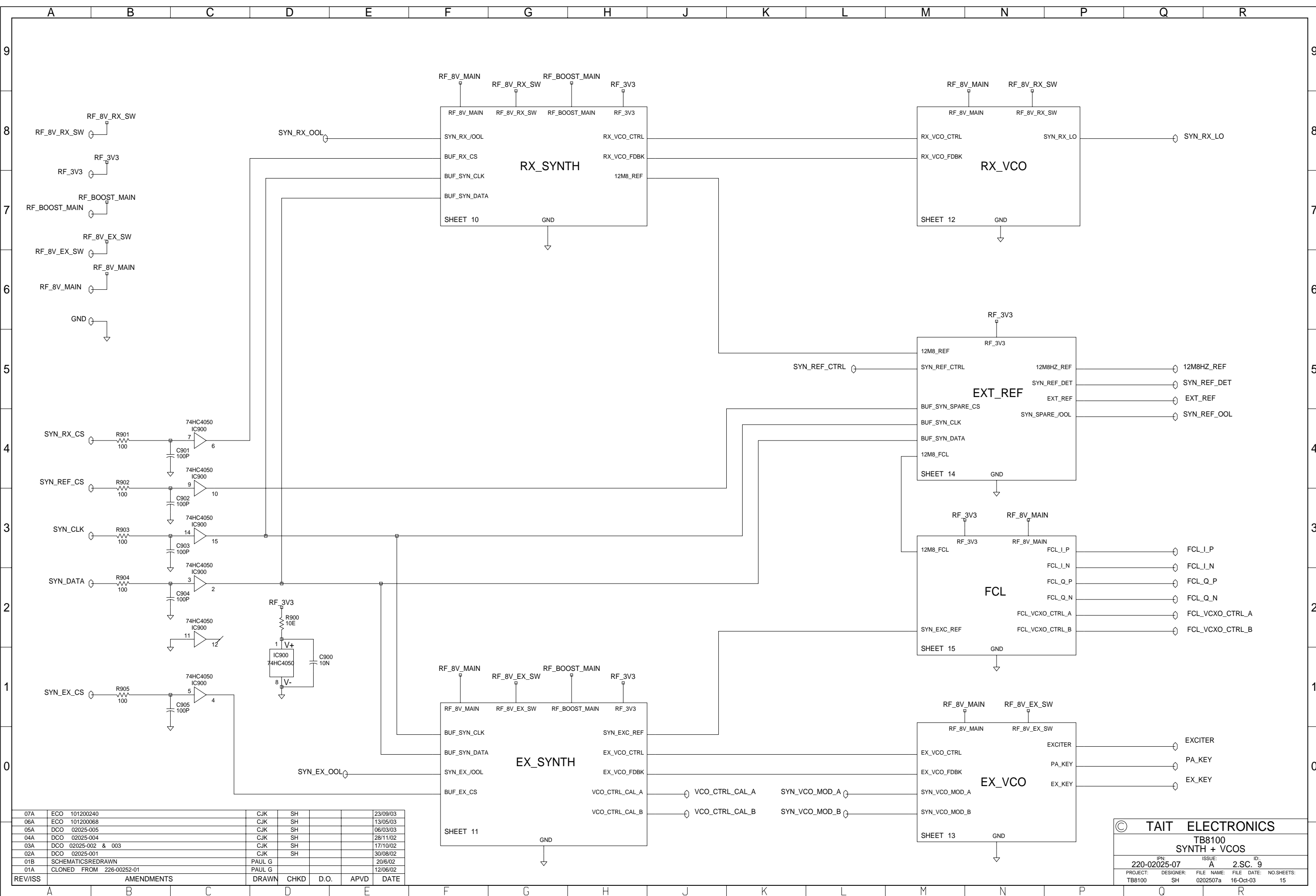
07A	ECO	101200240	CJK	SH		23/09/03
06A	ECO	101200068	CJK	SH		13/05/03
05A	DCO	02025-005	CJK	SH		06/03/03
04A	DCO	02025-004	CJK	SH		28/11/02
03A	DCO	02025-002 & 003	CJK	SH		17/10/02
02A	DCO	02025-001	CJK	SH		30/08/02
01B	SCHEMATICS REDRAWN		PAUL G			20/06/02
01A	CLONED FROM 226-00252-01		PAUL G			12/06/02
REV/ISS	AMENDMENTS		DRAWN	CHKD	D.O.	APVD DATE

© TAIT ELECTRONICS

TB8100
AGC

IPN: 220-02025-07 ISSUE: A ID: 2.SC. 8

PROJECT: TB8100 DESIGNER: SH FILE NAME: 0202507a FILE DATE: 16-Oct-03 NO. SHEETS: 15

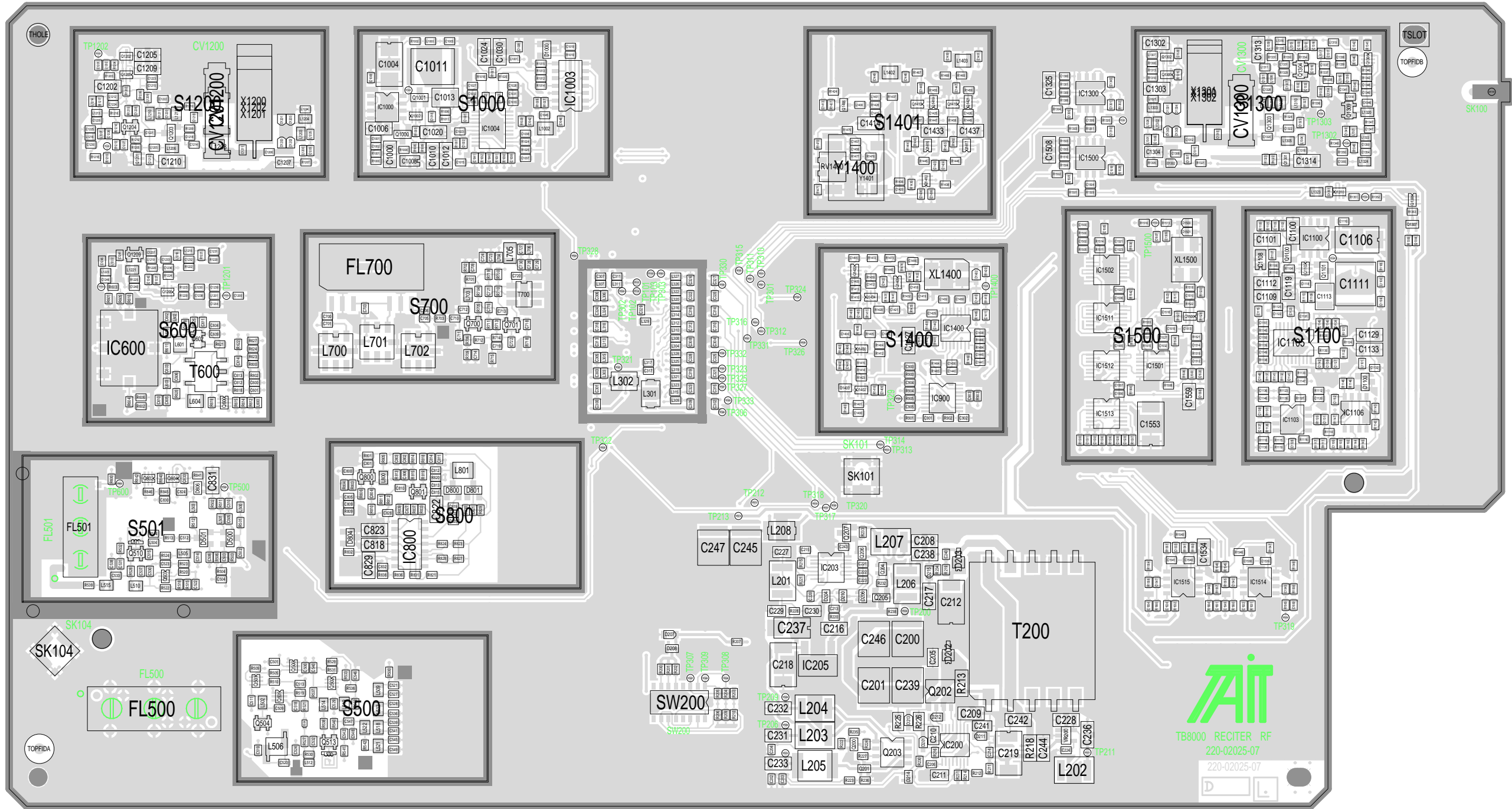


07A	ECO	101200240	CJK	SH		23/09/03
06A	ECO	101200068	CJK	SH		13/05/03
05A	DCO	02025-005	CJK	SH		06/03/03
04A	DCO	02025-004	CJK	SH		28/11/02
03A	DCO	02025-002 & 003	CJK	SH		17/10/02
02A	DCO	02025-001	CJK	SH		30/08/02
01B	SCHEMATICS REDRAWN		PAUL G			20/6/02
01A	CLONED FROM 226-00252-01		PAUL G			12/06/02
REV/ISS	AMENDMENTS		DRAWN	CHKD	D.O.	APVD DATE

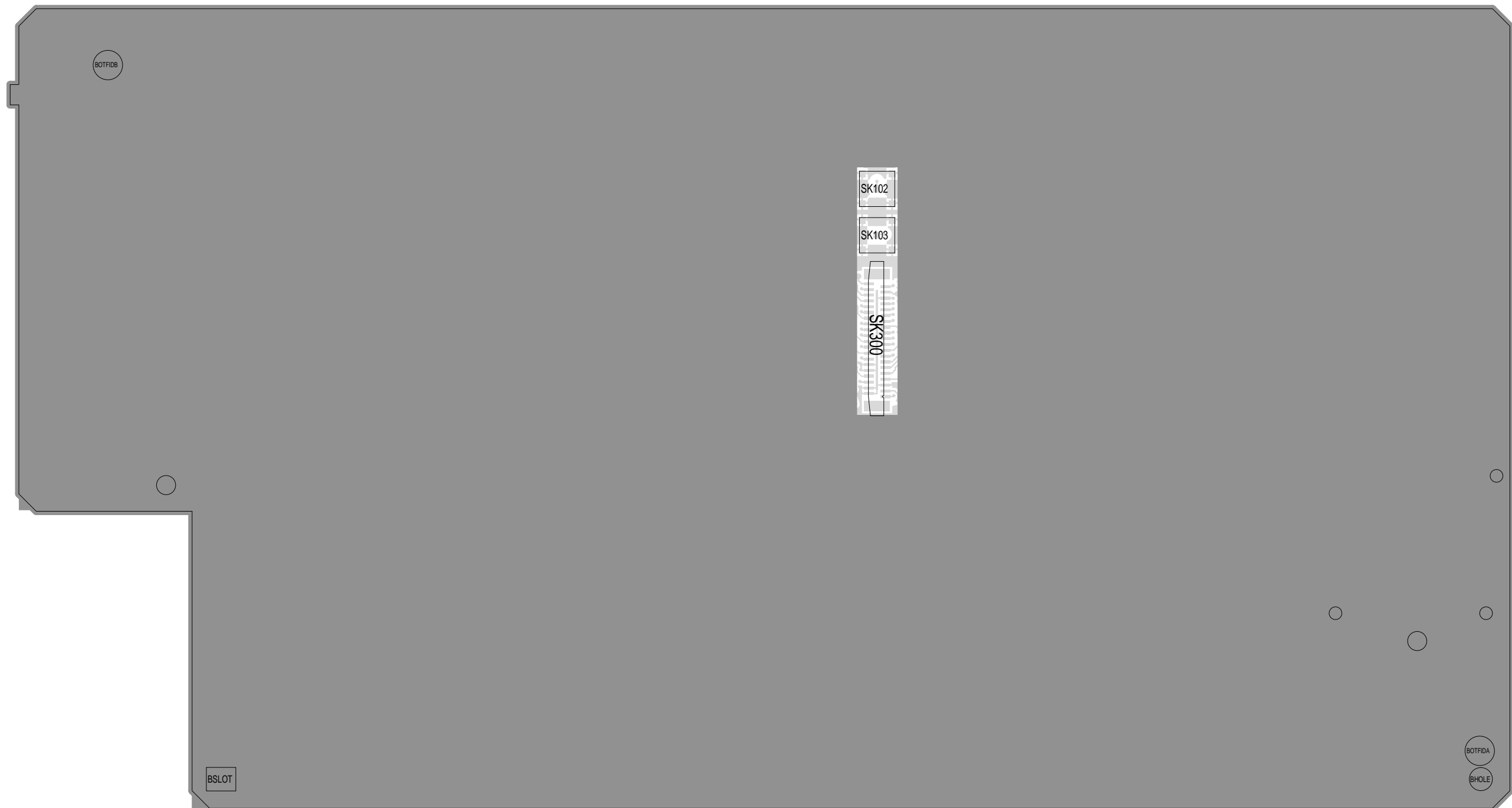
© TAIT ELECTRONICS
 TB8100
 SYNTH + VCOS
 IPN: 220-02025-07 ISSUE: A ID: 2.SC. 9
 PROJECT: TB8100 DESIGNER: SH FILE NAME: 0202507a FILE DATE: 16-Oct-03 NO. SHEETS: 15

9
8
7
6
5
4
3
2
1

A B C D E F G H J K L M N P Q



Scale:1.3:1 ; Rotation: 0 degrees



Q P N M L K J H G F E D C B A

9
8
7
6
5
4
3
2
1

TAIT ELECTRONICS	IPN: 220-02025-07	ISS: A	ID: 4.BA	DATE: 15 Oct 2003
RECITER4_RF PCB LAYOUT - BOTTOM SIDE				

Scale: 1.3:1 ; Rotation: 0 degrees